

Peters Cream Aeration System

APPLICATION

The Peters Cream Aeration System is designed to be a complete aeration system for producing cream, peanut butter and cheese filled biscuit and cracker sandwiches.

FEATURES

- Peters Model PTH 35 gallon portable, jacketed cream hopper
- One rotary positive displacement pump to feed stencil assembly (single ingress)
- All components mounted on common base including a pump to provide cream to the mixer head for aeration
- Continuous aeration head capable of 100 to 660 pounds (45 to 300 kgs) per hour of sandwich cream
- Stainless steel mixing head with high strength pyramid shaped mixing teeth resulting in faster more efficient mixing
- Mixing head consists of two stators and one rotor
- Front and rear stators of mixing head are jacketed for coolant circulation and efficient temperature control
- Front stator is hinged for easy cleaning and alignment
- Jacketed stainless pipe work from the aeration head to the PT creamer stencil assembly
- Refrigeration unit
- Simple, convenient operator control panel with easy access to electrical and mechanical components for maintenance and service



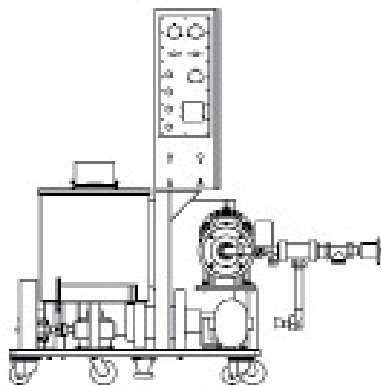
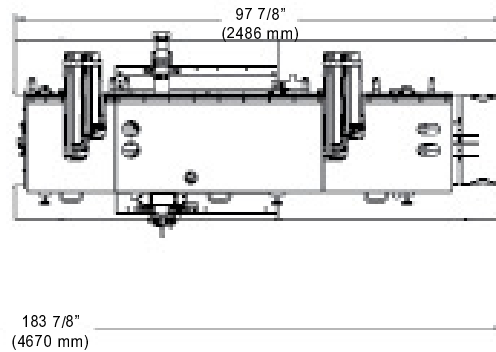
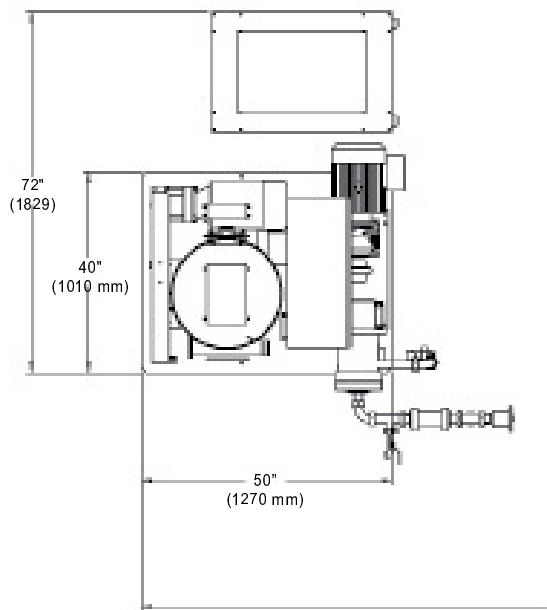
Peters Cream Aeration System

Options

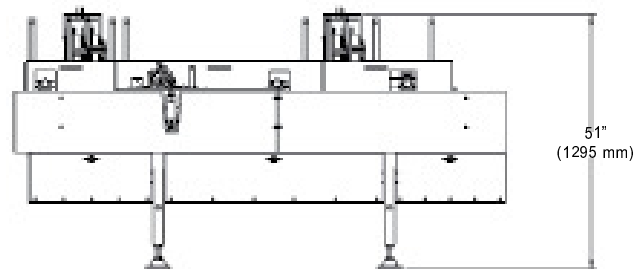
- Peters Model PTH2 - two pump cream hopper with 70 gallon (264 liter) capacity
- Various sizes to meet production requirements

Specifications

- Electrical: 460 volts, 3 phase, 60Hz
Other per customer request
- Pneumatic: 10 CFM at 80 PSI
- Mixer drive: 10 HP



Peters 35 Gallon Hopper with Continuous Mixer Unit



Peters PT2 - 2 Lane Sandwicking Machine

