

Peerless Trough Dumper

APPLICATION

The Peerless Trough Dumper is designed to be used in applications where it is necessary to transfer dough from a trough to auxiliary equipment such as dough feeders or the hopper of forming machines.



FEATURES

- Two hydraulic cylinders provide smooth, consistent trough lifting.
- Troughs lifted to angles up to 30 degrees above horizontal.
- Main frame and structural parts fabricated of stainless steel.
- NEMA 4X stainless steel electrical enclosure and wiring for wash down service.
- Push button controls with built-in limit switches for safe operation.

Trough Dumper Model	TD6	TD8	TD10	TD12
Length of Dough Trough	6'-0"	8'-0"	10'-0"	12'-0"



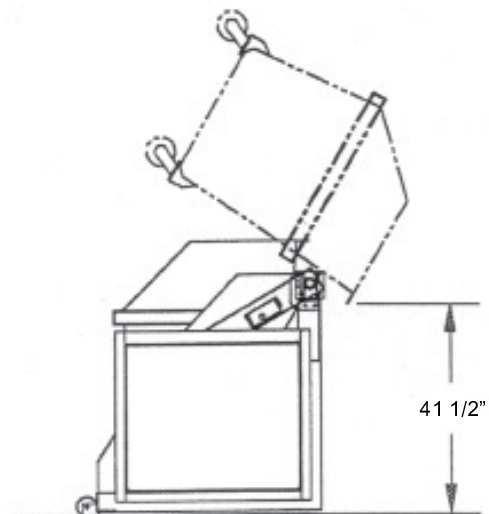
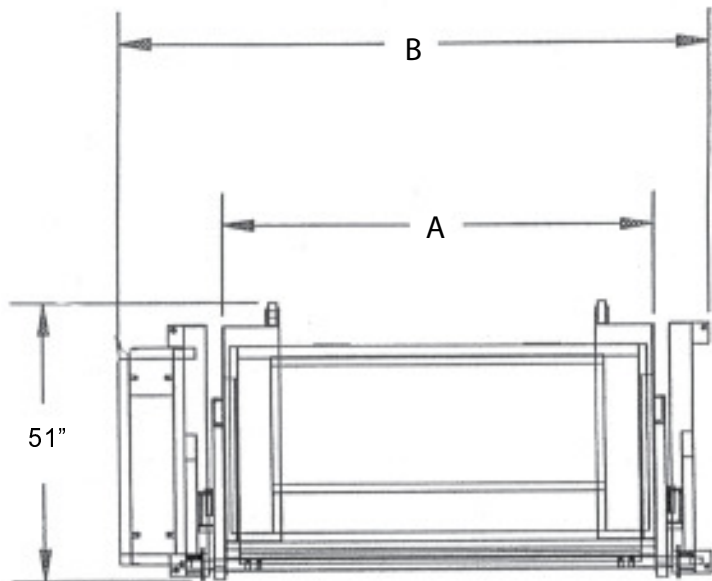
Peerless Trough Dumper

Options

- Can be integrated with mixer control system.
- Heavy duty casters for portability.
- Trough for use with dumper

Specifications

- Trough Capacities Up to 4,000 lbs. (1,815 kg)
Up to 12 feet
- Electrical 460 V, 3 phase, 60 Hz
- Hydraulic Pump Motor 3 HP



A = Trough Length + 5 1/2"

B = Trough Length + 34 1/2"

