

# Sigma Arm Mixer

## Double Arm Sigma Agitator

### A Clean View of Mixing Performance

Peerless Double Sigma Arm Mixers are ideal for soft wire-cut cookie dough, cake, donuts, muffins, pretzels, granola, energy bars, scones, creams/fillings, Panettone and other seasonal baking Items and more efficiently.

#### Sanitation

- High-Quality Bowl Construction made for a Long Production Life and Extra Clean Mixing Conditions
- Patented Z-Jacket Bowl Design available keeps your Dough at your Specified Temperatures
- End-To-End Canopy protects the Integrity of your Dough

#### Durability

- Stainless Steel Exterior over Heavy-Duty “Unibody” Frame
- Stainless Steel Mixing Bowl
- Variable-Frequency Drive (VFD) Adjusts to Mixing Environment

#### Productivity

- Peerless Mixer Solutions are designed to integrate with all Ingredient Handling Systems and Baking Processes
- PLC allows for Intuitive Operation and Control of the Mixing Process, and for Single-Person Control
- Safety Features support Productivity without compromising Worker Safety

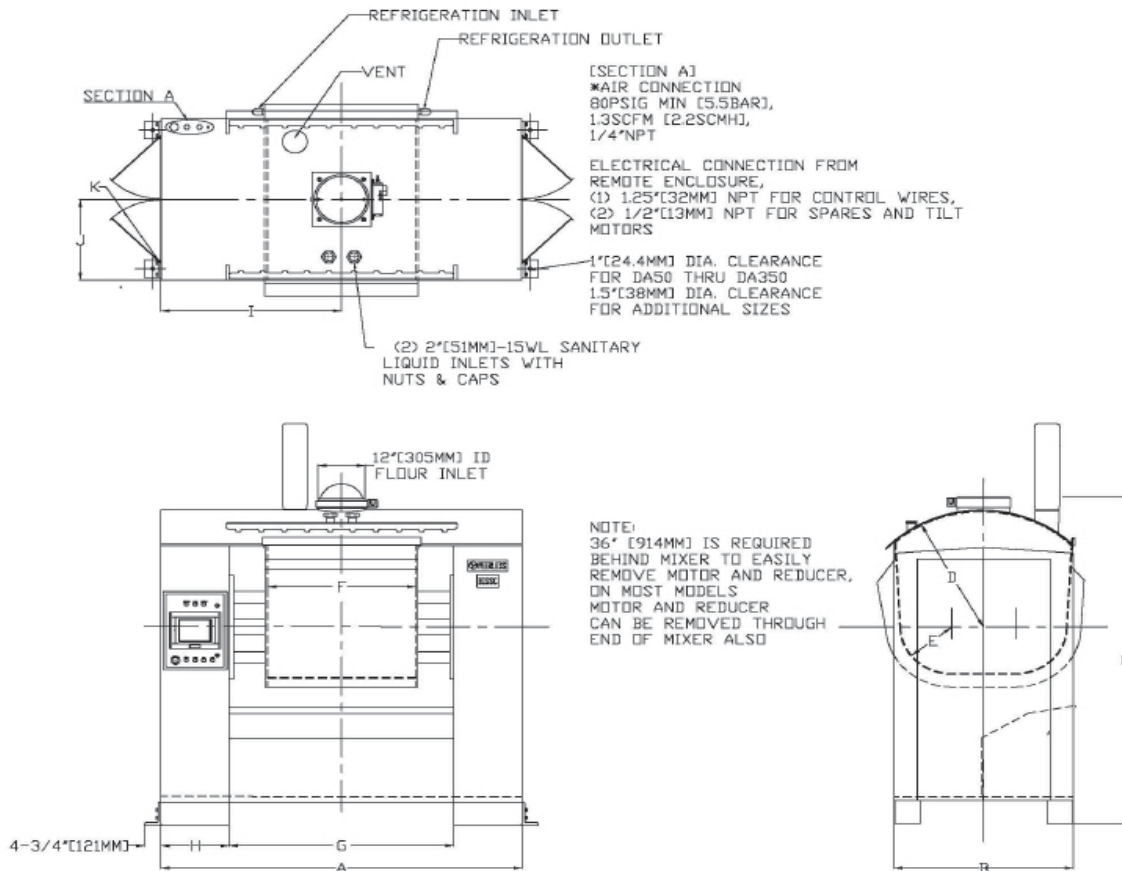


#### SPECIFICATIONS

Model	Mixing Capacity (Pounds)	Working Volume (Cu.Ft.)	Drive Motor H.P.	Single Cylinder Tilt Motor H.P.	Net Weights (lbs.)	Approx. Shipping Weight (lbs.)
DA50	450	10	10	5	9,600	10,000
DA100	900	17	15	5	10,000	10,400
DA150	1,100	22	20	5	10,400	10,800
DA200	1,500	29	30	5	11,400	11,900
DA250	1,700	34	40	5	11,900	12,400
DA300	2,050	41	50	5	12,550	13,100
DA350	2,350	45	60	5	13,650	14,200
DA400	2,600	56	75	7.5	21,100	21,800
DA500	3,300	66	100	7.5	22,550	23,300
DA600	4,000	80	125	7.5	24,600	25,400
DA650	4,400	86	125	7.5	25,500	26,300



## Dimensions



### DIMENSIONS (Inches)

Model	A	B	C	D	E	F	G	H	I	J	K
DA50	84	42	82 1/2	27 1/2	8 1/2	28	46	19	42	21	19
DA100	84	42	86	30	12	28	46	19	42	21	19
DA150	91	42	86	30	12	35	53	19	45 1/2	21	19
DA200	105	42	93 1/2	33	12	47	67	19	52 1/2	21	19
DA250	109	42	95 1/2	35	12	47	71	19	54 1/2	21	19
DA300	115	46	100 1/2	36	13	55	77	19	57 1/2	23	21
DA350	115	46	100 1/2	36	14	55	77	19	57 1/2	23	21
DA400	119	52	110 1/2	40	15 1/2	55	77	21	59 1/2	26	24
DA500	130	56	118	40	16	60	82	24	62	28	26
DA600	139	58	120	42	17	67	89	25	62 1/2	29	27
DA650	139	60	122	44	18	67	89	25	65 1/2	30	28

Dimensions are for reference only. Due to the continuous effort of Peerless Engineering to improve performance, dimensional data and specifications are subject to change without notice.

